

# LASSO SLOT S3 - DIRECT (PATTERNS)



Type:

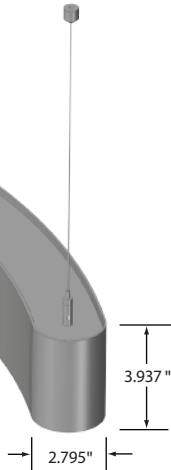
Project Name:

Catalog Number:

PAL Architectural Lighting presents the new LASSO SLOT S3 - Direct. Either suspended or surface mounted, the LASSO SLOT S3 profile allows you the ability to form myriad shapes and patterns - from simple curved corners to the most complex configurations. With your imagination as your guide, the possibilities are limitless.

At only 2.795" in width, the LASSO SLOT S3 - Direct is a sleek, compact form that creates a minimal spatial footprint, while at the same time creating a striking architectural statement.

Shown with optional Curved End Plate



## SPECIFICATIONS

### Housing

Constructed of extruded aluminum and available in various curve-shape lit fixtures, as well as single straight sections of nominal 2', 3', 4', 5', 6', 7' and 8' long. In combination, custom fixture patterns are available.

### Lens/Diffusers

(FAL) Frosted acrylic snap-in lens, with magnetic retention location locks.

(PL) Heavy-duty polycarbonate snap-in lens, with magnetic retention location locks. Lens is IK08 rated for impacts.

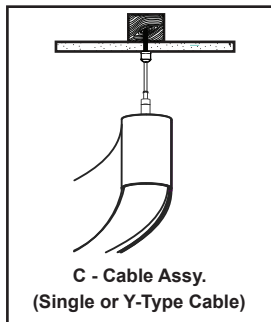
### Finish

Standard housing finish is textured matte white or textured matte black. Custom colors are also available.

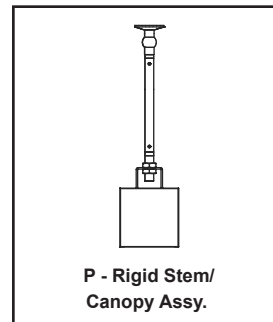
### Gear Tray/LED Module

Removeable gear tray is constructed of solid aluminum, has LED module attached and is designed for quick and simple 'single person' installation or removal.

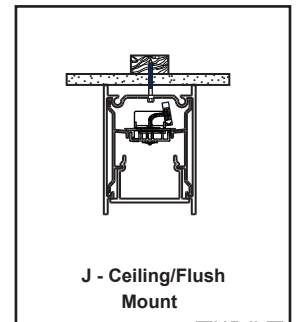
### Mountings



\*Link to Cable Install Instructions



\*Link to Rigid Stem Install Instructions



\*Link to Ceiling/Flush Mt Install Instructions



### Color Temperatures/CRI

LED light sources are available for the following Co-ordinated Color Temperatures (CCT):

**Standard:** 3000K, 3500K, 4000K, & 5000K

**Tunable White:** Variable CCT range from 2700K thru 6500K.

**RGBW:** (Red, Green, Blue, White) color-changing logic module is rated at 90+ CRI and is available in standard High Output and Medium Output.

Contact factory for available custom outputs.

**Color Rendering Index (CRI):** Standard: 90  
Optional: 80

### Warranty

10-year limited warranty. No other warranty is expressed or implied. Complete warranty terms can be accessed by visiting:

<https://pal-lighting.com/company/warranty>

### Certifications

Fixtures are UL listed for use in 'Dry or Damp Applications'. Fixtures are CE listed for the European market. Fixtures also carry an EMC rating (electromagnetic compatibility). IP20 rated.



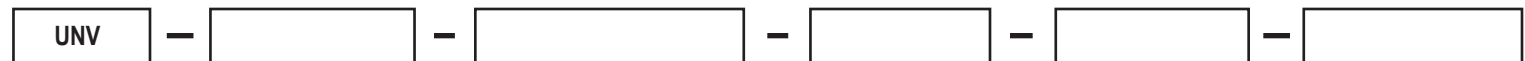
## ORDERING GUIDE



| Series                          | Outputs  | Color Temp. (CCT)   | Color Render   | Straight Fixtures  | Custom Fixture Pattern  |
|---------------------------------|--|---|--|--|---|
| LS3-D LASSO<br>SLOT S3 - DIRECT | <b>Standard Outputs:</b><br><b>HO</b> High Output<br>875 Lms/Ft<br><br><b>MO</b> Medium Output<br>475 Lms/Ft<br><br><b>Custom Outputs:</b><br>*CO ___ Custom Output<br><br><b>*Maximum to Minimum Outputs Available:</b><br>Using 90 CRI Driver:<br>198 Lms/Ft - 1219 Lms/Ft<br>Using 80 CRI Driver:<br>381 Lms/Ft - 1265 Lms/Ft | <b>Standard:</b><br><b>K30</b> 3000 Kelvin<br><b>K35</b> 3500 Kelvin<br><b>K40</b> 4000 Kelvin<br><b>K50</b> 5000 Kelvin<br><br><b>Optional:</b><br><b>TW</b> 2700K thru 6500K<br>(Tunable White)<br><b>RGBW</b> Red/Green/Blue/White<br>(Color Changing) | <b>90</b> 90 CRI (Standard)<br><b>80</b> 80 CRI (Optional) | <b>Nominal Lengths:</b><br>2' 5'<br>3' 6'<br>4' 7'<br>8' | Describe Pattern: _____<br>_____<br>_____<br>Example: Hexagonal pattern with 3' long sides. |



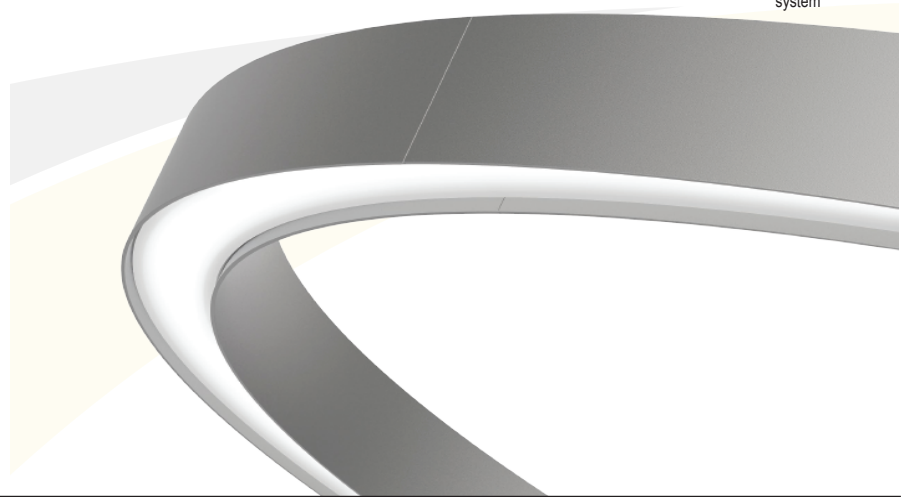
| Curve-Shape Fixtures   | Standard Connectors  | Mounting   | Lenses / Diffusers  | Housing Color  | End Caps   |
|--|--|--|---|--|--|
| <b>48R (48" Radius):</b><br>48R/90 90 Deg Bend<br>48R/45 45 Deg Bend<br>48R/60 60 Deg Bend<br>48R/30 30 Deg Bend<br><br><b>33R (33" Radius):</b><br>33R/90 90 Deg Bend<br>33R/45 45 Deg Bend<br>33R/60 60 Deg Bend<br>33R/30 30 Deg Bend<br><br><b>17R (17" Radius):</b><br>17R/90 90 Deg Bend<br>17R/45 45 Deg Bend<br>17R/60 60 Deg Bend<br>17R/30 30 Deg Bend | <b>Y-Shape Bend Connectors:</b><br><b>Y-48R/45</b> 48" Radius w/45 Deg Bend<br><b>Y-33R/45</b> 33" Radius w/45 Deg Bend<br><b>Y-17R/45</b> 17" Radius w/45 Deg Bend<br><br><b>V-Shape Bend Connectors:</b><br><b>V-48R/45</b> 48" Radius w/45 Deg Bend<br><b>V-33R/45</b> 33" Radius w/45 Deg Bend<br><b>V-17R/45</b> 17" Radius w/45 Deg Bend | <b>C</b> Cable Assy - Single Cable<br><b>CY</b> Cable Assy - Y-Type Split Cable<br><b>P</b> Rigid Stem/Canopy Assy<br><b>J</b> Ceiling/Flush Mount | <b>FAL</b> Frosted Acrylic Lens<br><b>PL</b> Polycarbonate Lens | <b>F01M</b> Textured Matte White (Standard)<br><b>F11M</b> Textured Matte Black (Standard)<br><b>FCC</b> Custom Color - RAL Color # ____ | <b>FE</b> Flat End Cap<br><b>CE</b> Curved End Cap |

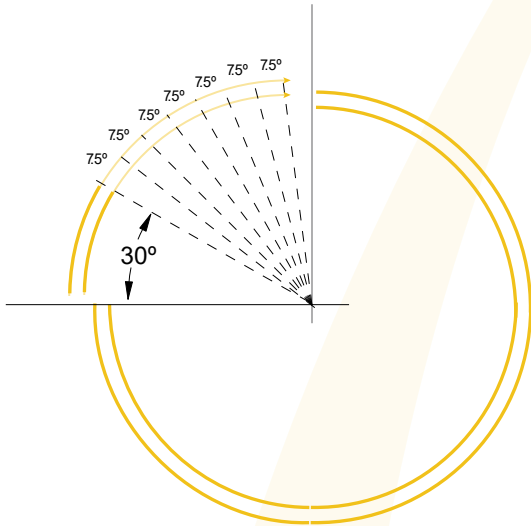


| Voltage                                       | Drivers - Dimming  | Drivers - Tun. White / RGBW   | Sensor Options  | Emergency Options                  | Control Options  |
|---|--|---|---|------------------------------------|--|
| <b>UNV</b> Universal Voltage<br>(120V - 277V) | <b>DIM10</b> Dimming 100% - 10%<br><b>DIM5</b> Dimming 100% - 5%<br><b>DIM1</b> Dimming 100% - 1%<br><b>DIM0</b> Dimming 100% - 0% | <b>TW</b> DALI protocol driver - Tunable White Color Tuning<br><br><b>RGBW</b> DMX protocol driver - RGBW Red/Green/Blue/White Color Tuning | <b>OCC</b> Occupancy/Motion Sensor<br><b>DS</b> Daylight/Photocell Sensor | <b>EBPH</b> Emergency Battery Pack | <b>0-10V</b> 0-10V protocol<br><b>DALI</b> DALI protocol (TW)<br><b>DMX</b> DMX protocol (RGBW)<br><b>CASAMBI</b> Casambi protocol wireless control system |

**Notes:**

- All fixtures are factory pre-wired for a single circuit. Provisions for multiple switching/circuiting is optional.
- Straight fixtures and 48R (48" Radius) arc segments contain integral drivers. Arc segments below 48R have remote drivers.
- Standard power supply (driver) is UL recognized, and is available with 0-10V dimming capability as well as 120 thru 277 universal voltage.
- Tunable White power supply (driver) is UL recognized, and is compatible with DALI control protocols.
- RGBW power supply (driver) is UL recognized, and is compatible with DMX control protocols.
- LASSO Slot S3 - Direct fixtures are IP20 rated - for indoor use only.

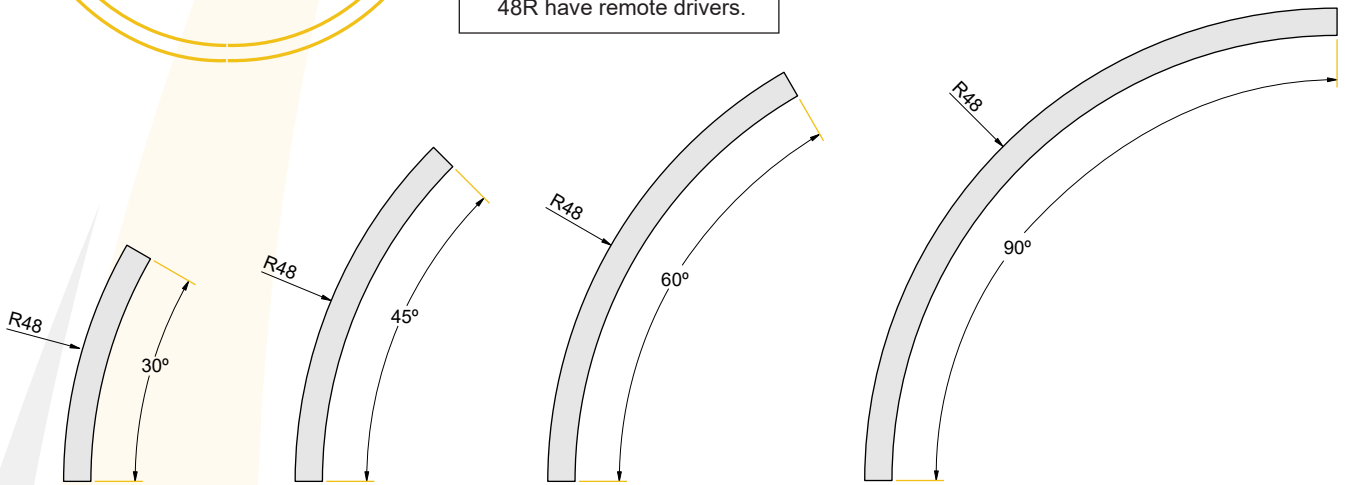




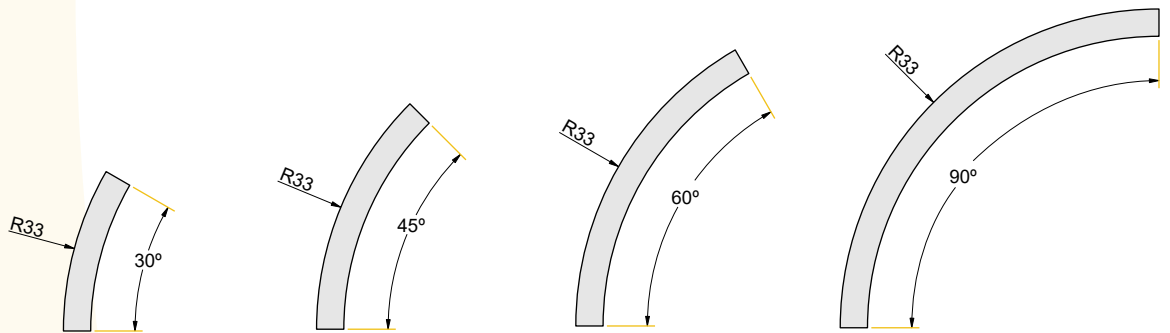
Minimum 30° segment, then each segment can be increased in 7.5° increments.  
Arc segments below 48R have remote drivers.

# LASSO SLOT S3 - DIRECT

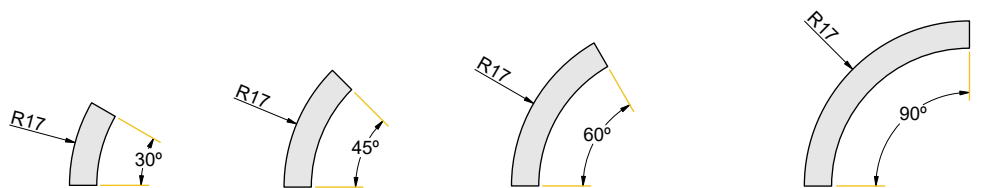
## Standard Bend Options



48R (48" Radius)



33R (33" Radius)

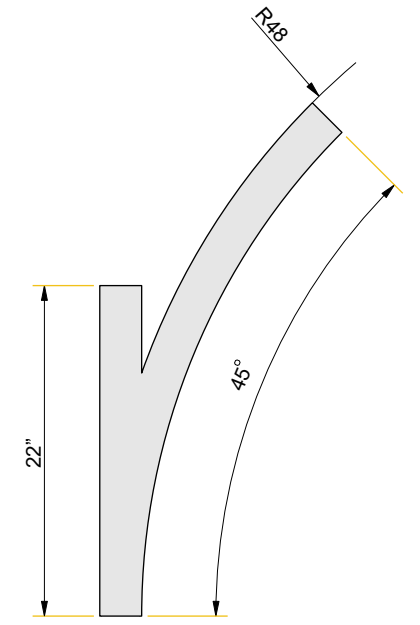
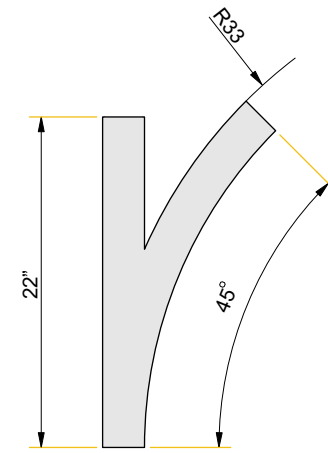
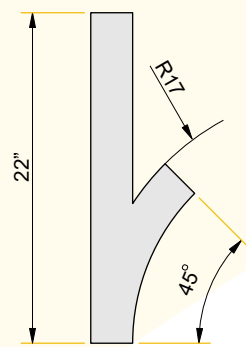


17R (17" Radius)

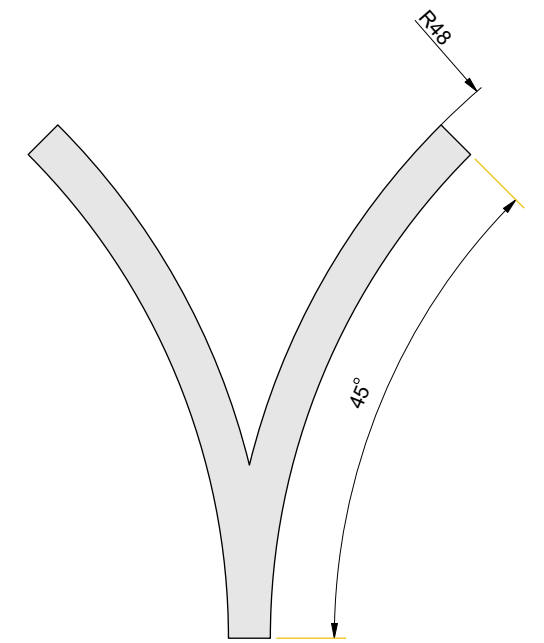
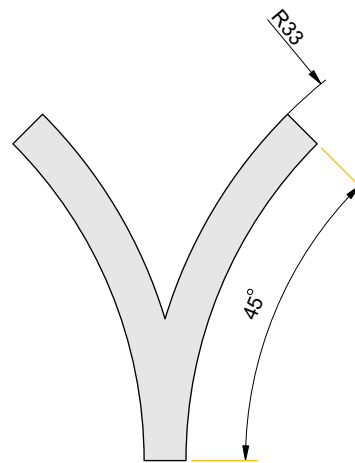
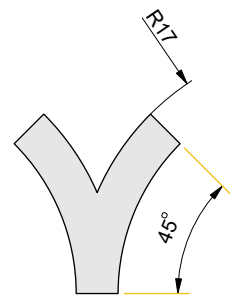
\*Other custom radii available on request

All radii bends can have integral drivers provided they ajoin a straight section or are ≥ 48R

## LASSO SLOT S3 - DIRECT Standard Connections



**Y Bends**



**V Bends**

\* Other options available upon request.

# Data Table



| LASSO SLOT S3 - DIRECT |                               |   |   |            |  |                        |
|------------------------|-------------------------------|---|---|------------|--|------------------------|
| LED Engine             | 4ft Length                    | Luminous Flux (Standard)<br>(Del'd Lms - Direct or Indirect only) | MO<br>1900  | HO<br>3500 | 4ft Length   Luminous Flux (Standard)<br>(Del'd Lms - Indirect/Direct) | MO   HO<br>3800   7000 |
| LED Engine             | Standard                      | CRI   | 90+   |            |  |                        |
|                        |                               | Lumen Maint / Max-Min Outputs                                     | 82,000 Hours ( L80 B10 @ 35° ) / 198 Lms/Ft thru 1219 Lms/Ft  |            |  |                        |
|                        | Lower CRI                     | CRI   | 80+   |            |  |                        |
|                        |                               | Lumen Maint / Max-Min Outputs                                     | 114,000 Hours ( L90 B10 @ 50° ) / 381 Lms/Ft thru 1265 Lms/Ft   |            |  |                        |
| Warranty (Drivers)     | Standard CRI (90+)            |   | 10 Years  |            |  |                        |
|                        | Lower CRI (80+)               |   | 10 Years  |            |  |                        |
| Electrical             | Power Consumption             |   | Between 6 and 14 W/Ft   |            |  |                        |
|                        | Voltage input range           |   | 120 – 277V (UNV)  |            |  |                        |
|                        | Controls                      |   | 0-10 volts / Dali Control Gear / DMX / Dimmer switch / Constant light output / Motion sensor / Ripple free / Bluetooth mesh / Casambi control wireless system |            |  |                        |
|                        | Total harmonic distortion THD |   | 9.8% max  |            |  |                        |
|                        | Approvals / Certifications    |   | UL / CE   |            |  |                        |
| Physical               | Dimensions                    |   | 2.795" Wide X 3.937" High   |            |  |                        |
|                        | Weight per Foot               |   | 2.68 lbs - average weight   |            |  |                        |
|                        | Housing                       |   | Aluminium extrusion / powder-coated finish only   |            |  |                        |
|                        | Diffuser                      |   | Frosted acrylic lens / Polycarbonate lens   |            |  |                        |
|                        | Accessories                   |   | Various connection shapes available   |            |  |                        |
|                        | Connections                   |   | Speed Connect Joining System with Polarized electrical connection between sections  |            |  |                        |
|                        | Compatible ceiling type       |   | Suitable for gyprock (drywall) ceilings, metal pan, concrete, timber and T-bar grid ceilings  |            |  |                        |
|                        | Mounting                      |   | Cable (Single or Y-Type), Rigid Stem, Ceiling Mount   |            |  |                        |
|                        | Bend Radii - (Inches)         |   | 17R / 33R / 48R as standard with custom radii available   |            |  |                        |
|                        | Mitre Bend Options            |   | Lit corner 90° / Cross 90° / Tee 90° / Straight 180° (No unlit)   |            |  |                        |
|                        | Endplate Options              |   | Flat or optional curved end plates.   |            |  |                        |
|                        | Operating temperatures        |   | Standard (90+ CRI) = - 25° C to 35° C (-13° F to 95° F)<br>Lower CRI (80+ CRI) = -25° C to 50° C (-13° F to 140°F)  |            |  |                        |
|                        | Environment                   |   | Dry Indoor Application only - (IP20 rated)  |            |  |                        |
|                        | Minimum length adjustment     |   | Standard (90+) = 0.984"      Lower CRI (80+) = 0.0394"  |            |  |                        |
|                        | LED Board types               |   | 90+ CRI: Boards in 1.97" / 11.02" / 22.04" lengths. (Zhaga compatible)<br>80+ CRI CRI: Boards in 0.98" / 3.94" / 22.04" lengths. (Zhaga compatible)           |            |  |                        |
|                        | Configurations                |   | Direct (down) only  |            |  |                        |

Patented flat end plate is complete with 'magnetic snap' cover plate.

A 7.50° arc = the industry's smallest arc adjustment.

Removable gear-tray for quick and simple 'single person' installation.

The curved endplate option with 'magnetic snap' offers you a contemporary choice for your next project.

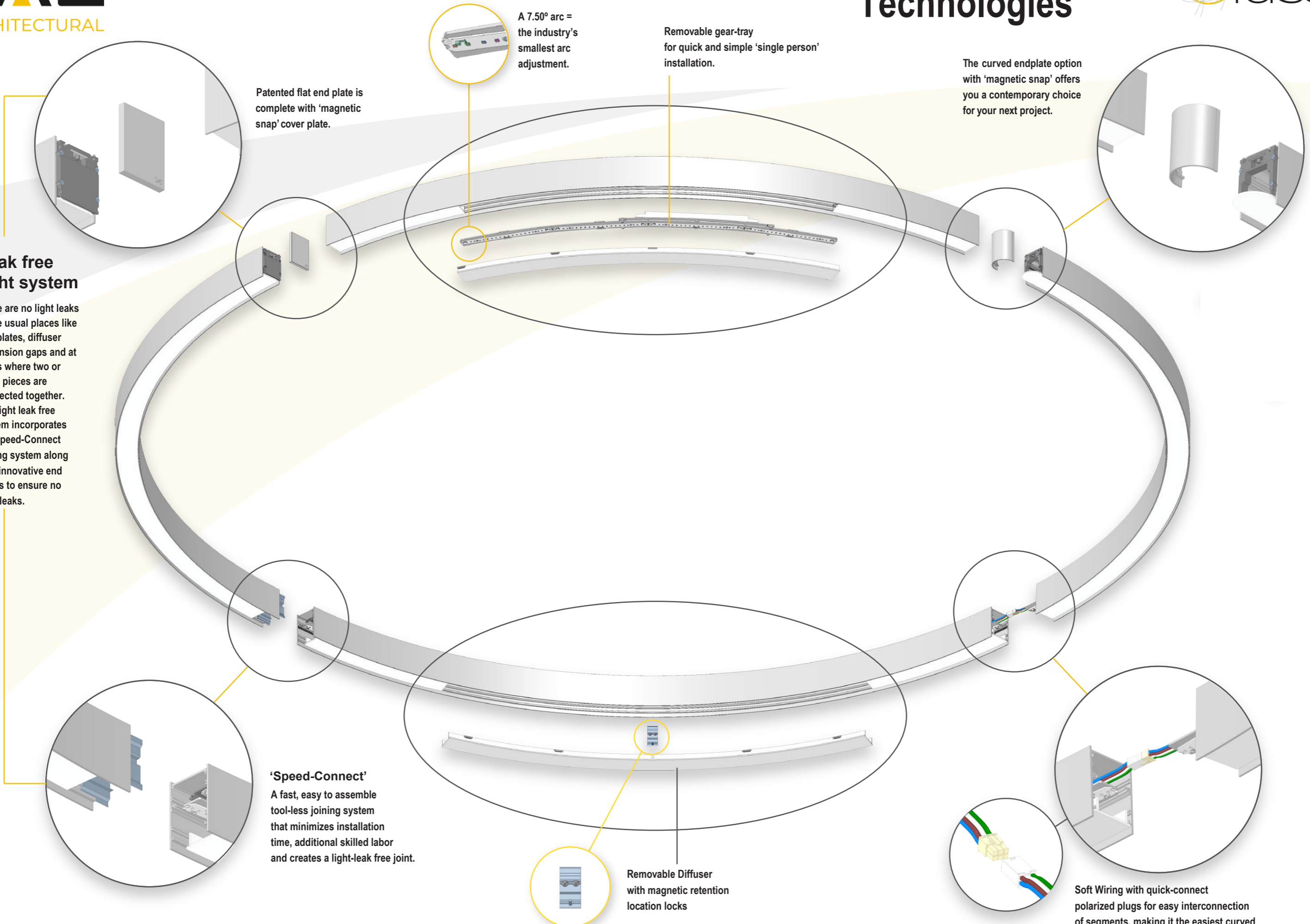
**Leak free light system**

There are no light leaks in the usual places like end plates, diffuser expansion gaps and at joints where two or more pieces are connected together. The light leak free system incorporates the Speed-Connect joining system along with innovative end plates to ensure no light leaks.

**'Speed-Connect'**  
A fast, easy to assemble tool-less joining system that minimizes installation time, additional skilled labor and creates a light-leak free joint.

Removable Diffuser with magnetic retention location locks

Soft Wiring with quick-connect polarized plugs for easy interconnection of segments, making it the easiest curved profile on the market to install.

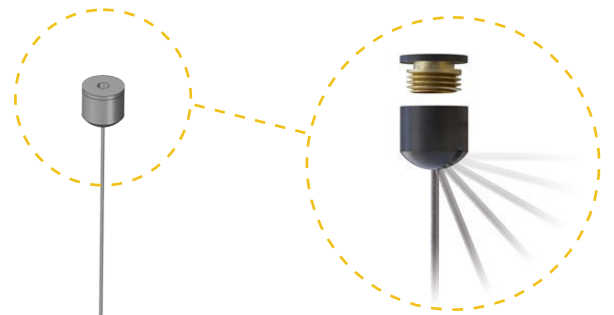




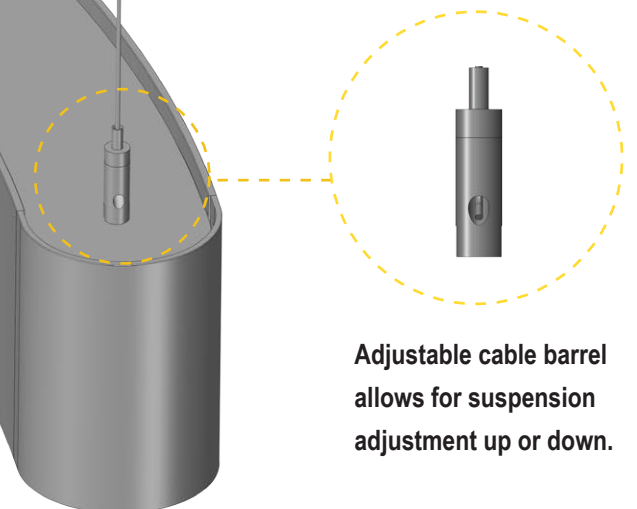
# LASSO SLOT S3 - DIRECT

## Fully Adjustable Cable/Rollerball Suspension

A smart suspension system that can be mounted on any ceiling, whether flat or sloped.



Custom rollerball cable barrel allows fixture to hang plumb, even on sloped surfaces.

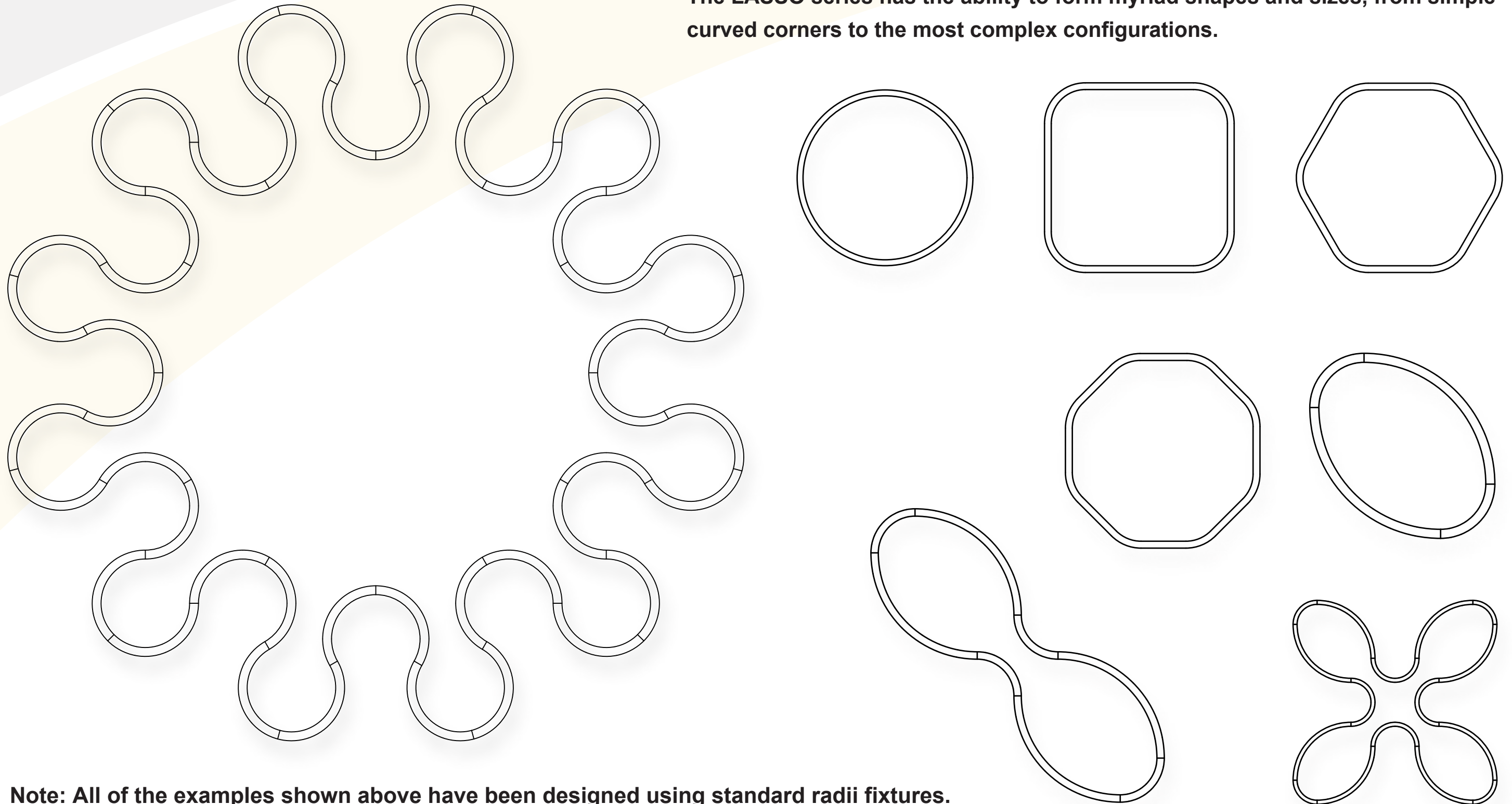


Adjustable cable barrel allows for suspension adjustment up or down.

## LASSO SLOT S3 - DIRECT

### Some examples of Shapes & Sizes

The LASSO series has the ability to form myriad shapes and sizes, from simple curved corners to the most complex configurations.



**Note: All of the examples shown above have been designed using standard radii fixtures.**